

## MT-02 Push-to-Close Latch

Pull-to-open · Cabinet catches

### Features

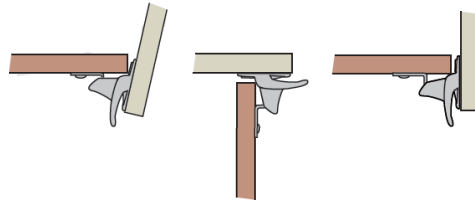
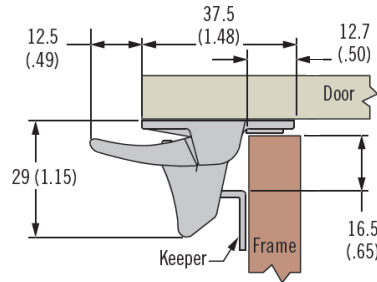
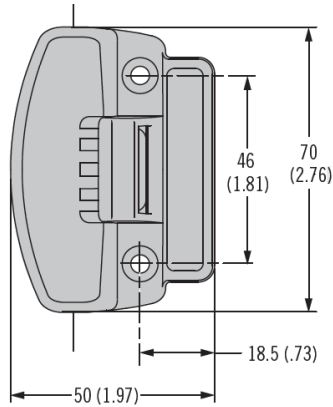
- Ergonomic design
- Dampening pad to eliminate door slam

### Material

- Latch: Acetal, black
- Keeper: Steel, zinc plated



### Latch



Color	Part Number
Black	MT-02-10-5

## MT-01 Push-to-Close Latch

Pull-to-open · Cabinet catches

### Features

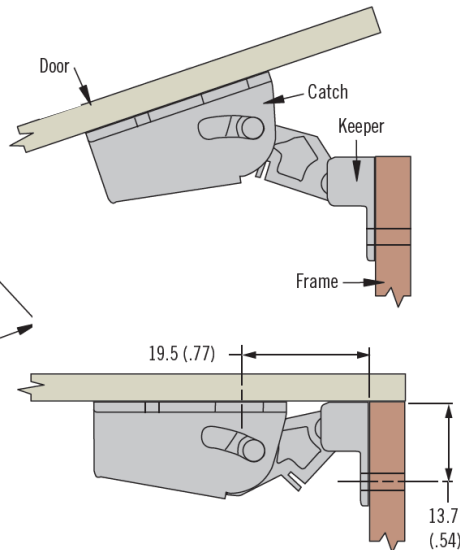
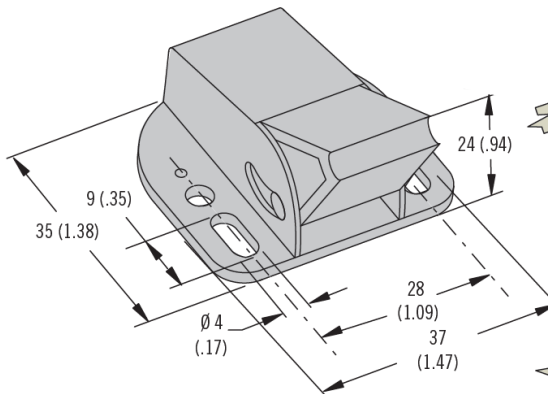
- Over-center for vibration resistance
- Corrosion-resistant

### Material

- Nylon, white and stainless steel



### Latch



Color	Part Number
White	MT-01-10-7